

# EXPRESS TUFF WAREHOUSE STEPS



**TUFF Warehouse Steps are ideal for home, office and warehouse environments. They are available in 5 different powder coated finishes.**



## GENERAL INFO & FEATURES

- Anti bacterial powder coated finish
- Load capacity 145kg
- Frame work fully built prior to delivery
- Spring loaded castors with black dome covers
- Anti-Slip Treads
- Choose from 2, 3 4 or 5 Treads
- Manufactured in the UK

## KEY FEATURES



Anti-slip treads



Spring loaded castors with black dome covers

Available in the following powder coated finishes:



Hassle-free assembly for domed castors



Easy access to out-of-reach places

## DIMENSIONS

Tread	H x W x D mm	Platform Height mm	Anti-Slip
2 Tread	1100 x 535 x 695	502	74062025*
3 Tread	1360 x 535 x 855	780	74062026*
4 Tread	1773 x 535 x 1025	1003	74062027*
5 Tread	1915 x 535 x 1130	1250	74062028*

\*All product codes represent TUFF steps in Blue

**WORKPLACE PRODUCTS**

t. 01922 743 833 | e. [sales@workplace-products.co.uk](mailto:sales@workplace-products.co.uk) | w. [workplace-products.co.uk](http://workplace-products.co.uk)  
Workplace Products, Timmis Road, Lye, Stourbridge, West Midlands DY9 7BQ, United Kingdom

# TUFF WAREHOUSE STEPS

## TUFF® 2 TREAD



- 2 Tread
- Powder coated
- Load capacity 145kg
- Manufactured in the UK



Anti-Slip Treads

## TUFF® 3 TREAD

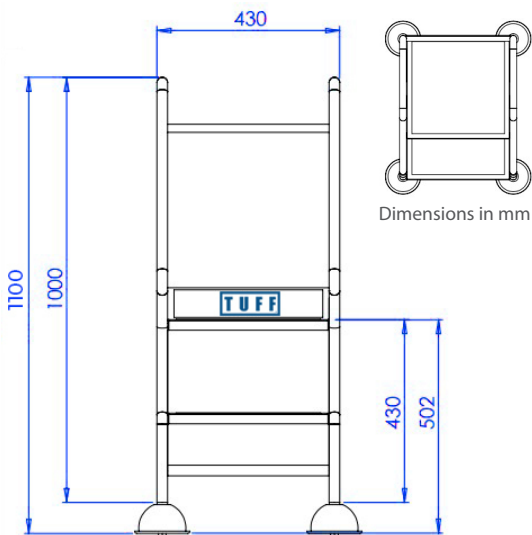


- 3 Tread
- Powder coated
- Load capacity 145kg
- Manufactured in the UK

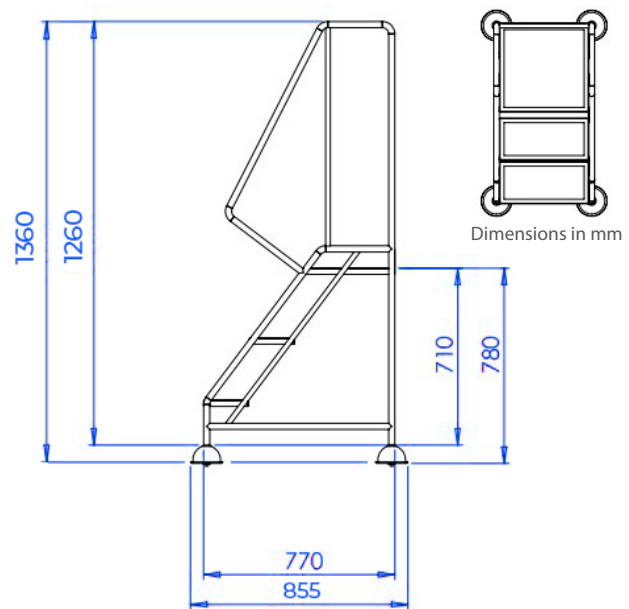


Anti-Slip Treads

### 2 TREAD DIAGRAM



### 3 TREAD DIAGRAM



### DIMENSIONS

Tread	H x W x D mm	Platform Height mm	Anti-Slip
2 Tread	1100 x 535 x 695	502	74062025*
3 Tread	1360 x 535 x 855	780	74062026*

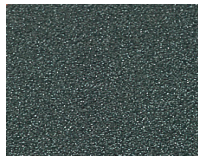
\*All product codes represent TUFF steps in Blue

# TUFF WAREHOUSE STEPS

## TUFF 4 TREAD



- 4 Tread
- Powder coated
- Load capacity 145kg
- Manufactured in the UK

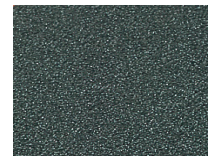


Anti-Slip Treads

## TUFF 5 TREAD

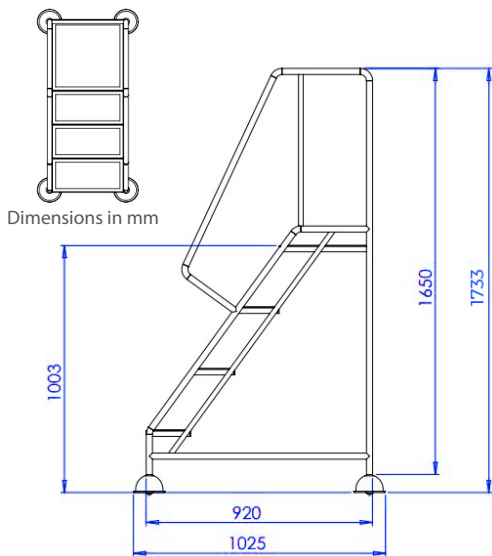


- 5 Tread
- Powder coated
- Load capacity 145kg
- Manufactured in the UK

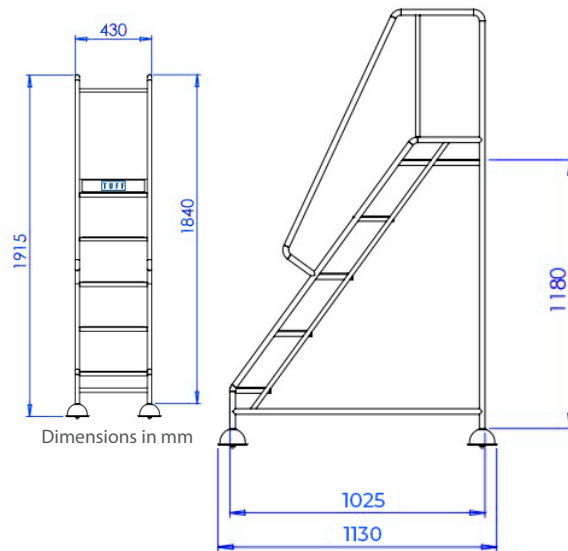


Anti-Slip Treads

### 4 TREAD DIAGRAM



### 5 TREAD DIAGRAM



### DIMENSIONS

Tread	H x W x D mm	Platform Height mm	Anti-Slip
4 Tread	1773 x 535 x 1025	1003	74062027*
5 Tread	1915 x 535 x 1130	1250	74062028*

\*All product codes represent TUFF steps in Blue